

# Industrial Computing

260 Bear Hill Road • Waltham, Massachusetts 02451  
Tel. (781) 890-3111 • Fax: (781) 890-7117  
www.industcomputing.com

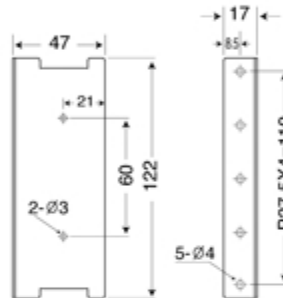
## FP-AM 10 10" TFT LCD Color Monitor



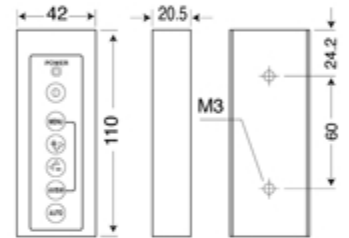
FP-AM10			
Viewing Area	10.4"		
Touch Panel	NO	YES(ELO)	NO
Strengthen Glass	NO	NO	YES
Pixel Pitch	0.264 X 0.264 mm		
Resolution	800 X 600 SVGA		
Effective Display Area	211.2 X 158.4mm		
Color	262,144		
Response Time(tr/TF)	20/30ms		
Contrast Ratio	250:1		
Brightness	250 cd/m <sup>2</sup>		
View Angle	T:30° B:10° L:40° R:40°		
Backlight	1 CCFL		
Lamp Life	20000 hrs		
Input Signal	Analog VGA & Video (Composite Video System PAL/NTSC/SECAM)		
Input Connector	D-Sub 15Pin / BNC Jack, S-VHS Din Type		
Scan Frequency	H: 31.5~53KHz / V: 56~85Hz		
Control	OSD		
Power Adaptor Input & Output	Universal AC 100~240 V, 50/60Hz & DC12V		
Power Input	DC 12V, 20~36V / 2A		
Power Management	VESA DPMS Standard		
Consumption	18W / Stand by 2.5 w		
Operating Temperature/Humidity	0 ~ 50°C / 10 ~ 85%RH		
Storage Temperature/Humidity	-20 ~ 60°C / 10 ~ 90%RH		
Sync Signal	TTL Level +/- Polarity		
Scanning	Non-Interface		
Dimension (mm) (WxHxD)	270 x 200 x 46		
Net Weight (Kg)	2	2.3	
Safety & EMI	CE (EMC+LVD)		
Vibration	10Hz / One-way 1m/m		
Pixel (MHz)	56.25 MHz		
Content	LCD Monitor, Key Pad, Power Adaptor, VGA Cable		

### Standard Accessories

Unit: mm



Key Pad Bracket kit



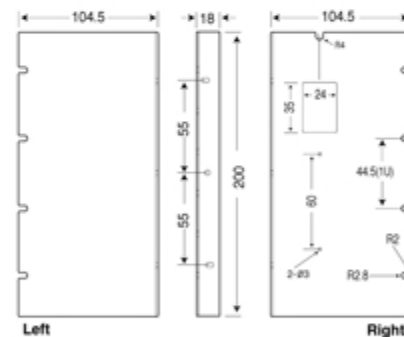
Key Pad

### Optional Accessories

Unit: mm

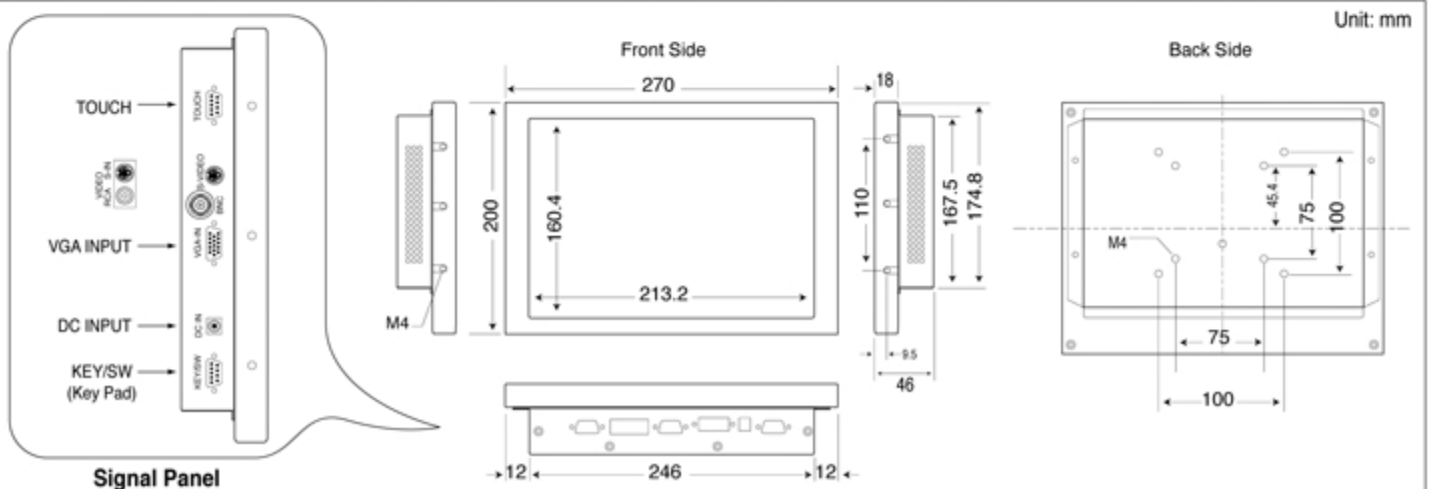
#### 19" Rack Bracket kit

#### Stand Base



Left

Right



Unit: mm

Specification subject to change without notice.